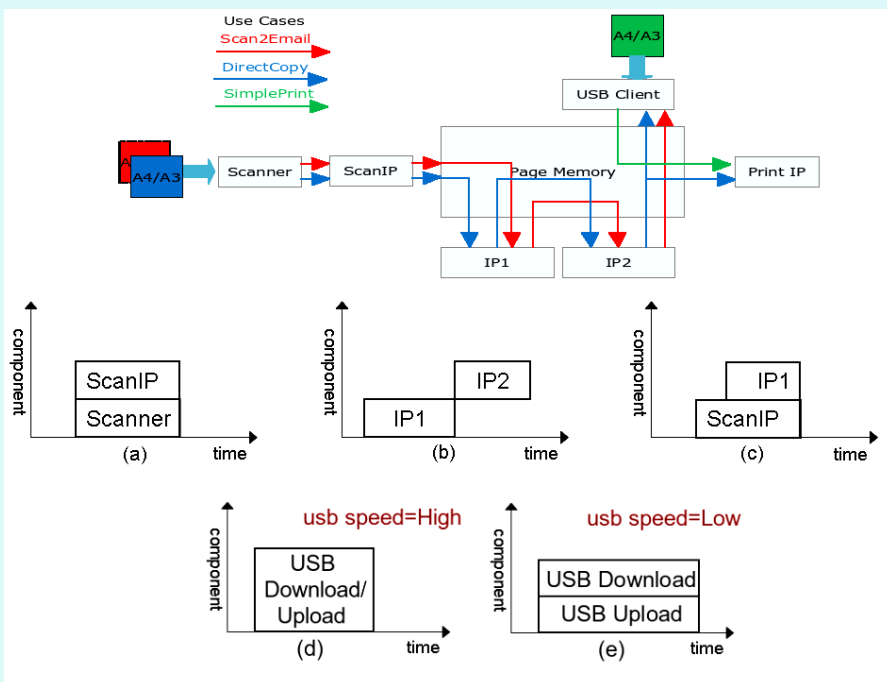


Georgeta Igna

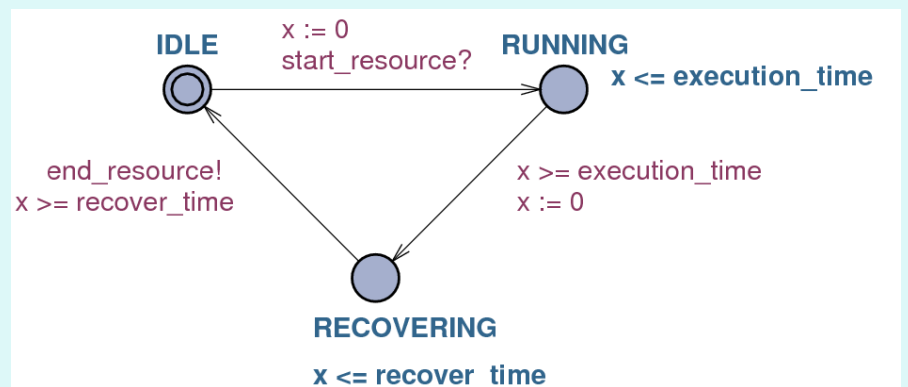
Using timed automata in the design process of printer datapaths

Project Objective:  
Early design-space exploration of printer datapath architecture

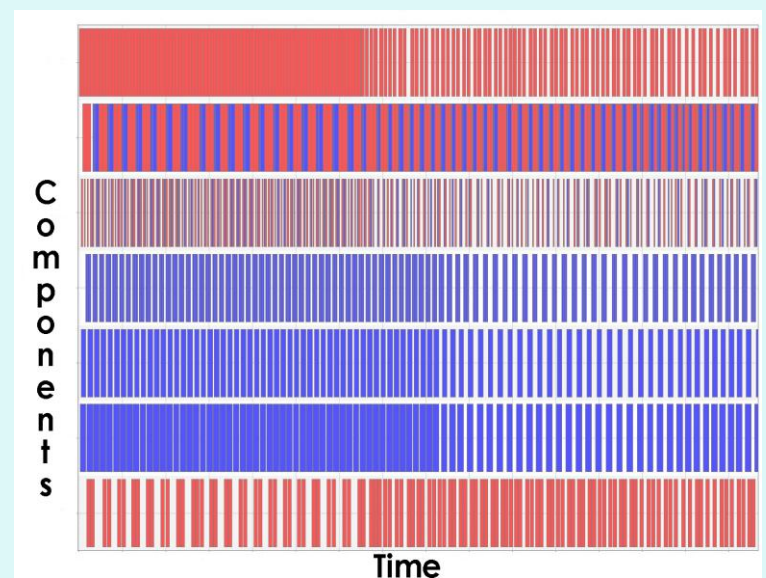
### Architecture



### Modeling



### Visualization



### Analysis Techniques

- Uppaal
- agent framework
- partial order reduction
- games

### State space explosion



### Scheduling rules

- non-overtaking
- bus throttling
- upload in order
- etc.

